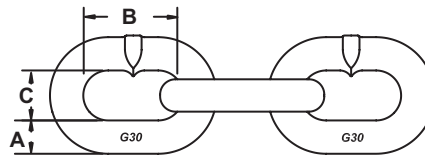


## G30 Chain

Gr-30, commonly called Proof Coil, is manufactured to meet ASTM & NACM specifications. Typical uses include barrier chains, trailer safety chains, light construction, marine industry, etc. Gr-30 is available in a wide assortment of finishes and packaged configurations. "Gr-30 is not to be used for overhead lifting".



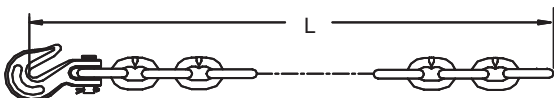
Chain Size	Working Load Limit	A	B	C	App. Weight	App. No of Links
in.	lb.	in.	in.	in.	lb.	per ft.
3/16	800	0.213	0.970	0.360	0.37	12.37
1/4	1,300	0.270	1.220	0.460	0.60	9.84
5/16	1,900	0.331	1.220	0.460	0.81	9.84
3/8	2,650	0.386	1.370	0.600	1.33	8.76
1/2	4,500	0.500	1.730	0.810	2.27	6.94
5/8	6,900	0.625	1.916	0.855	3.63	6.26
3/4	10,600	0.781	2.397	1.070	5.68	5.01



- Meets ASTM & NACM standards
- Available in a wide assortment of finishes including, Self Colored, Burnished, Zinc Plated, Galvanized, Powder Coated
- Permanent identification on chain
- 100% proof tested
- Available in drums, pails, multiple style of assemblies

Chain Size	Self Colored Finish				Zinc Plated Finish						Hot Dipped Galvanized Finish					
	Full Drum	Length	Half Drum	Length	Full Drum	Length	Half Drum	Length	Pail	Length	Full Drum	Length	Half Drum	Length	Pail	Length
in.	ft.	ft.	ft.	ft.	ft.	ft.	ft.	ft.	ft.	ft.	ft.	ft.	ft.	ft.	ft.	ft.
3/16	671040	850	-	-	671440	850	671494	500	671410	250	671340	850	671394	500	671310	250
1/4	671041	800	671091	400	671441	800	671491	400	671411	140	671341	800	671391	400	671311	140
5/16	671042	550	671092	275	671442	550	671492	275	671412	90	671342	550	-	-	671312	90
3/8	671043	400	671093	200	671443	400	671493	200	671413	60	671343	400	671393	200	671313	60
1/2	-	-	671045	200	671445	200	-	-	671415	40	671345	200	-	-	671315	40
5/8	671046	150	-	-	-	-	-	-	-	-	671346	150	-	-	-	-
3/4	671047	100	-	-	-	-	-	-	-	-	671347	100	-	-	-	-

## G30 Hanger Chain

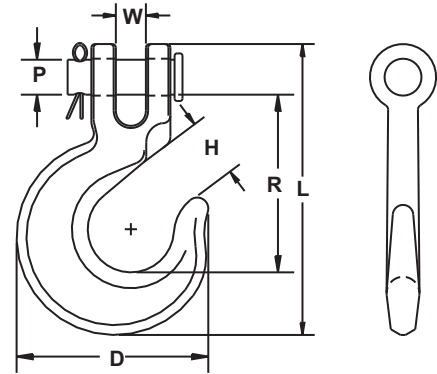


Chain Size	Working Load Limit	Product Code	L	Finish	Weight
in.	lb.		ft.		lb.
1/4	1,300	601710CMG	3	Self Colored	2.10
1/4	1,300	601711CMG	4	Self Colored	2.70
1/4	1,300	601712CMG	5	Self Colored	3.00
1/4	1,300	601714CMG	7	Self Colored	4.50
5/16	1,900	631012	6	Self Colored	5.60

## G30 Clevis Slip Hook



- Designed to be used with grade 30 chain
- Heat treated pins
- Hooks are heat treated and tempered
- Hooks are embossed with chain grade, fraction size and country of origin (USA)
- Hooks embossed with a trace code
- Ultimate strength equals 4 times the working load limit, matching NACM specifications
- Not to be used for overhead lifting

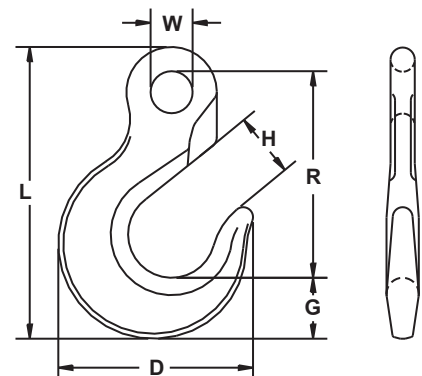


Size	Working Load Limit	Product Code (Zinc)	Dimensions						Weight
			W	D	H	L	R	P	
in.	lb.		in.	in.	in.	in.	in.	in.	lb.
1/4	1,300	66191	0.36	2.33	0.72	2.27	2.32	0.31	0.35
5/16	1,900	66291	0.42	2.72	0.77	4.13	2.56	0.38	0.63
3/8	2,650	66391	0.50	3.20	0.86	4.81	3.04	0.44	1.02
1/2	4,500	66591	0.61	4.16	1.12	6.31	4.15	0.55	2.27

## G30 Eye Slip Hook



- Designed to be used with grade 30 chain
- Hooks are heat treated and tempered
- Hooks are embossed with chain grade, fraction size and country of origin (USA)
- Hooks embossed with a trace code
- Ultimate strength equals 4 times the working load limit, matching NACM specifications
- Not to be used for overhead lifting

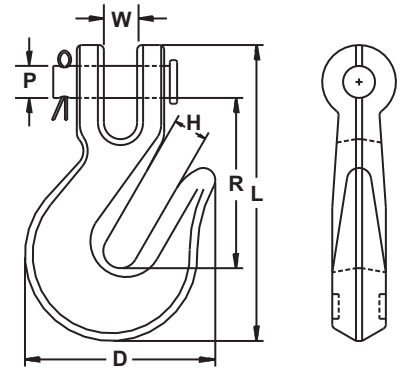


Size	Working Load Limit	Product Code (Zinc)	Dimensions						Weight
			W	D	H	L	R	G	
in.	lb.		in.	in.	in.	in.	in.	in.	lb.
3/16-1/4	1,300	75191	0.53	2.47	0.81	3.69	2.61	0.81	0.38
5/16	1,900	75291	0.69	2.88	0.83	3.98	2.70	0.91	0.57
3/8	2,650	75391	0.75	3.25	0.92	4.56	3.17	1.13	0.83
7/16	3,700	75491	0.91	3.73	1.23	5.56	3.64	1.31	1.38
1/2	4,500	75591	1.03	4.25	1.30	6.13	4.20	1.50	1.95
5/8	6,900	75691	1.28	5.23	1.69	7.41	5.11	1.81	3.72

## G30 Clevis Grab Hooks



- Designed to be used with grade 30 chain
- Heat treated pins
- Hooks are heat treated and tempered
- Hooks are embossed with chain grade, fraction size and country of origin (USA)
- Hooks embossed with a trace code
- Ultimate strength equals 4 times the working load limit, matching NACM specifications
- Not to be used for overhead lifting

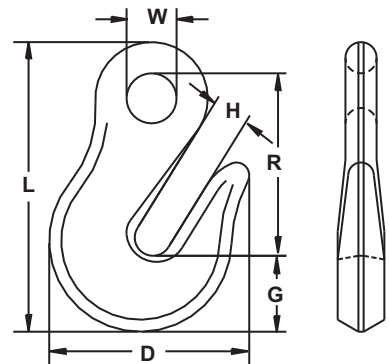


Size	Working Load Limit	Product Code (Zinc)	Dimensions						Weight
			W	D	H	L	R	P	
in.	lb.		in.	in.	in.	in.	in.	in.	lb.
1/4	1,300	61191	0.36	2.05	0.36	3.00	1.57	0.31	0.37
5/16	1,900	61291	0.42	2.41	0.44	3.56	1.98	0.38	0.63
3/8	2,650	61391	0.50	2.94	0.52	4.20	2.23	0.44	1.10
1/2	4,500	61591	0.66	3.70	0.67	5.20	2.93	0.55	2.42

## G30 Eye Grab Hooks



- Designed to be used with grade 30 chain
- Hooks are heat treated and tempered
- Hooks are embossed with chain grade, fraction size and country of origin (USA)
- Hooks embossed with a trace code
- Ultimate strength equals 4 times the working load limit, matching NACM specifications
- Not to be used for overhead lifting



Size	Working Load Limit	Product Code (Zinc)	Dimensions						Weight
			W	D	H	L	R	G	
in.	lb.		in.	in.	in.	in.	in.	in.	lb.
3/16-1/4	1,300	71191	0.50	1.94	0.36	2.85	1.59	0.81	0.30
5/16	1,900	71291	0.61	2.41	0.44	3.47	1.94	1.00	0.50
3/8	2,650	71391	0.72	2.86	0.55	4.13	2.33	1.13	0.87
1/2	4,500	71591	0.94	3.69	0.67	5.38	3.03	1.50	2.17

For 7/16", 5/8" or 3/4" size use grade 43 Eye Grab Hook