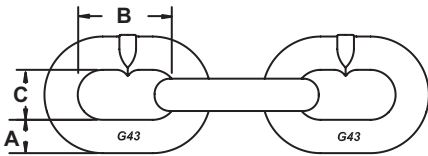


# Carbon Chain Chain & Assemblies

## G43 Chain

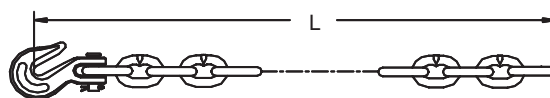
Gr-43, commonly called High Test, is manufactured to meet ASTM & NACM specifications. Typical uses include container securement, logging, towing, and marine industry. Gr-43 is available in many finishes and package configurations. "Gr-43 is not to be used for overhead lifting".



- Meets ASTM & NACM standards
- Available in a wide assortment of finishes including, Self Colored, Burnished, Zinc Plated, Galvanized
- 50% stronger than Gr-30 Chain
- Permanent identification on chain
- 100% proof tested
- Available in drums, pails, multiple style of assemblies

Chain Size	Working Load Limit	A	B	C	App. Weight	App. No of Links	Self Colored Finish		Hot Dipped Galvanized Finish			
							Full Drum	Length	Half Drum	Length	Full Drum	Length
in.	lb.	in.	in.	in.	lb.		ft.		ft.	ft.		
1/4	2,600	0.270	1.220	0.460	0.65	9.84	678141	800	678131	400	678341	800
5/16	3,900	0.343	1.279	0.535	1.04	10.91	678142	550	678132	275	678342	550
3/8	5,400	0.394	1.370	0.600	1.40	8.76	678143	400	678133	200	678343	400
1/2	9,200	0.500	1.730	0.810	2.27	6.93	678145	200	-	-	678345	200
5/8	13,000	0.625	1.916	0.855	3.63	5.63	678146	150	678136	75	678346	150
3/4	20,200	0.781	2.397	1.070	5.68	5.66	678147	100	678137	50	678347	100

## G43 Hanger Chain

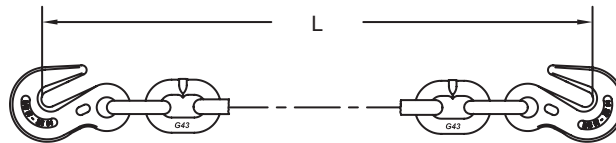


Chain Size	Working Load Limit	Product Code	L	Finish	Weight
in.	lb.		ft.		lb.
1/4	2,600	628204GA	4	Self Colored	2.9
1/4	2,600	628209GA	9	Self Colored	5.8
1/4	2,600	628212GA	12	Self Colored	7.7
3/8	5,400	628311GA	11	Self Colored	15.9



## G43 Welded Assembly

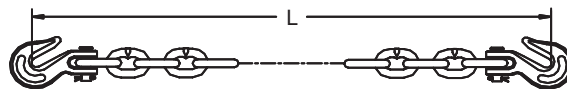
- Meets FMCSA, CVSA, NACM, & ASTM standards
- Available with welded style hooks
- No worries with ultra-violet degrading
- Various end attachments available
- Finishes are available including; self colored, galvanized, zinc plated



Chain Size	Working Load Limit	Product Code	Product Code in Bags	L	Finish	Weight
in.	lb.			ft.		lb.
3/8	5,400	638241	638238	20	Self Colored	28.10

## G43 Clevis Assemblies

- Meets FMCSA, CVSA, NACM, & ASTM standards
- Available in clevis style hooks
- No worries with ultra-violet degrading
- Various end attachments available
- Finishes are available including; self colored, galvanized, zinc plated



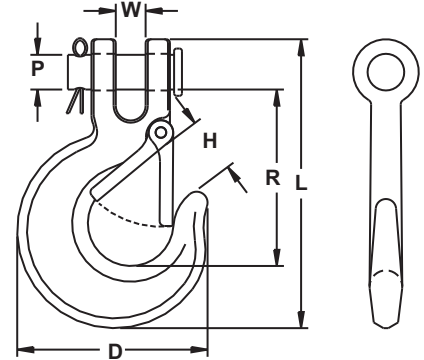
Chain Size	Working Load Limit	Product Code	Product Code Bag Pack	L	Finish	Weight
in.	lb.			ft.		lb.
1/4	2,600	638010	-	10	Self Colored	6.50
1/4	2,600	638020	-	20	Self Colored	12.58
5/16	3,900	608014	-	14	Self Colored	14.70
5/16	3,900	638209	-	16	Self Colored	17.80
5/16	3,900	608401	-	20	Self Colored	21.10
5/16	3,900	638025	-	25	Self Colored	25.50
3/8	5,400	638208	-	10	Self Colored	18.32
3/8	5,400	638215	-	12	Self Colored	18.32
3/8	5,400	638216	638222	14	Self Colored	20.98
3/8	5,400	638217	638217BG	16	Self Colored	23.64
3/8	5,400	638218	-	18	Self Colored	26.30
3/8	5,400	638219	638223	20	Self Colored	28.96
3/8	5,400	638220	-	25	Self Colored	35.61
1/2	9,200	638226	-	20	Self Colored	47.70



## G43 Clevis Slip Hook w/latch



- Heat treated pins
- Hooks are heat treated and tempered
- Designs' ultimate strength equals 3 times working load limit, matching NACM specifications
- Hook embossed with trace code providing traceability through manufacturing and testing process to heat of steel
- Not to be used for overhead lifting

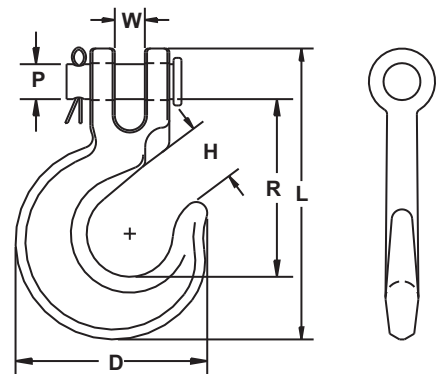


Size	Working Load Limit	Product Code (Zinc)	Dimensions						Weight
			W	D	H	L	R	P	
in.	lb.		in.	in.	in.	in.	in.	in.	lb.
1/4	2,600	66173	0.36	2.33	0.72	2.27	2.32	0.31	0.35
5/16	3,900	66273	0.42	2.72	0.77	4.13	2.56	0.38	0.63
3/8	5,400	66373	0.50	3.20	0.86	4.81	3.04	0.44	1.02
7/16	7,200	66473	0.58	3.91	1.02	5.56	3.50	0.50	1.56
1/2	9,200	66573	0.61	4.16	1.12	6.31	4.15	0.55	2.27

## G43 Clevis Slip Hook (Zinc)



- Heat treated pins
- Hooks are heat treated and tempered
- Designs' ultimate strength equals 3 times working load limit, matching NACM specifications
- Hook embossed with trace code providing traceability through manufacturing and testing process to heat of steel
- Not to be used for overhead lifting

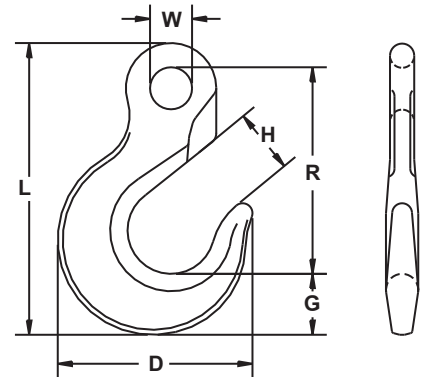


Size	Working Load Limit	Product Code (Zinc)	Dimensions						Weight
			W	D	H	L	R	P	
in.	lb.		in.	in.	in.	in.	in.	in.	lb.
1/4	2,600	66193	0.36	2.33	0.72	2.27	2.32	0.31	0.35
5/16	3,900	66293	0.42	2.72	0.77	4.13	2.56	0.38	0.63
3/8	5,400	66393	0.50	3.20	0.86	4.81	3.04	0.44	1.02
7/16	7,200	66493	0.58	3.91	1.02	5.56	3.50	0.50	1.56
1/2	9,200	66593	0.61	4.16	1.12	6.31	4.15	0.55	2.27

## G43 Eye Slip Hook (Zinc)



- Hooks are heat treated and tempered
- Designs' ultimate strength equals 3 times working load limit, matching NACM specifications
- Hook embossed with trace code providing traceability through manufacturing and testing process to heat of steel
- Not to be used for overhead lifting

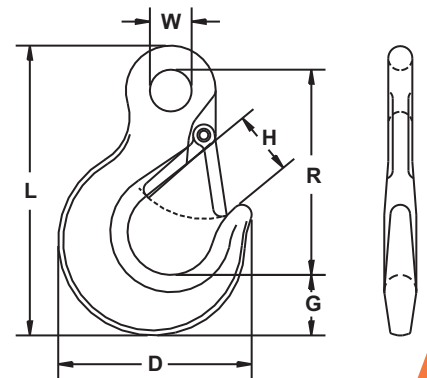


Size	Working Load Limit	Product Code (Zinc)	Dimensions						Weight
			W	D	H	L	R	G	
in.	lb.		in.	in.	in.	in.	in.	in.	lb.
1/4	2,600	75193	0.53	2.47	0.81	3.69	2.61	0.81	0.38
5/16	3,900	75293	0.69	2.88	0.83	3.98	2.70	0.91	0.57
3/8	5,400	75393	0.75	3.25	0.92	4.56	3.17	1.13	0.83
7/16	7,200	75493	0.91	3.73	1.23	5.56	3.64	1.31	1.38
1/2	9,200	75593	1.03	4.25	1.30	6.13	4.20	1.50	1.95
5/8	13,000	75693	1.28	5.23	1.69	7.41	5.11	1.81	3.72
3/4	20,200	75793	1.36	6.28	1.98	8.88	6.00	2.34	3.72

## G43 Eye Slip Hook with Latch (Zinc)



- Hooks are heat treated and tempered
- Designs' ultimate strength equals 3 times working load limit, matching NACM specifications
- Hook embossed with trace code providing traceability through manufacturing and testing process to heat of steel
- Not to be used for overhead lifting



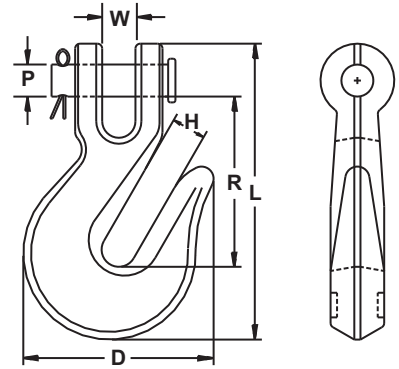
Size	Working Load Limit	Product Code (Zinc)	Dimensions						Weight
			W	D	H	L	R	G	
in.	lb.		in.	in.	in.	in.	in.	in.	lb.
1/4	2,600	75143	0.53	2.47	0.73	3.69	2.61	0.81	0.38
5/16	3,900	75243	0.69	2.88	0.81	3.98	2.70	0.91	0.57
3/8	5,400	75343	0.75	3.25	0.87	4.56	3.17	1.13	0.83
1/2	9,200	75543	1.03	4.25	1.21	6.13	4.20	1.50	1.95

# Carbon Chain G43 Grab Hooks

## G43 Clevis Grab Hook (Zinc)



- Heat treated pins
- Hooks are heat treated and tempered
- Designs' ultimate strength equals 3 times working load limit, matching NACM specifications
- Hook embossed with trace code providing traceability through manufacturing and testing process to heat of steel
- Not to be used for overhead lifting

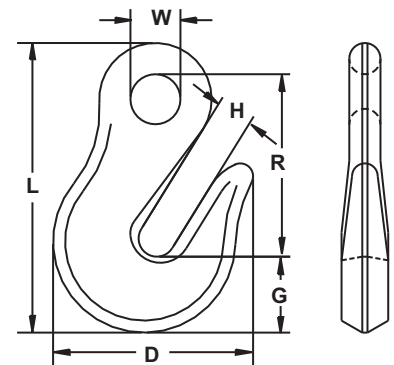


Size	Working Load Limit	Product Code (Zinc)	Dimensions						Weight
			W	D	H	L	R	P	
in.	lb.		in.	in.	in.	in.	in.	in.	lb.
1/4	2,600	61193	0.36	2.05	0.36	3.00	1.57	0.31	0.37
5/16	3,900	61293	0.42	2.41	0.44	3.56	1.98	0.38	0.63
3/8	5,400	61393	0.50	2.94	0.52	4.20	2.23	0.44	1.10
7/16	7,200	61493	0.58	3.25	0.60	4.94	2.94	0.50	1.60
1/2	9,200	61593	0.66	3.70	0.67	5.20	2.93	0.55	2.42

## G43 Eye Grab Hook (Zinc)



- Hooks are heat treated and tempered
- Designs' ultimate strength equals 3 times working load limit, matching NACM specifications
- Hook embossed with trace code providing traceability through manufacturing and testing process to heat of steel
- Not to be used for overhead lifting



Size	Working Load Limit	Product Code (Zinc)	Dimensions						Weight
			W	D	H	L	R	G	
in.	lb.		in.	in.	in.	in.	in.	in.	lb.
1/4	2,600	71193	0.50	1.94	0.36	2.85	1.59	0.81	0.30
5/16	3,900	71293	0.61	2.41	0.44	3.47	1.94	1.00	0.56
3/8	5,400	71393	0.72	2.86	0.55	4.13	2.33	1.13	0.87
7/16	7,200	71493	0.83	3.30	0.59	4.97	2.91	1.31	1.45
1/2	9,200	71593	0.94	3.69	0.67	5.38	3.03	1.50	2.17
5/8	13,000	71693	1.16	4.63	0.83	6.95	4.25	1.88	3.89
3/4	20,200	71793	1.38	5.50	0.98	8.28	4.75	2.28	6.12