



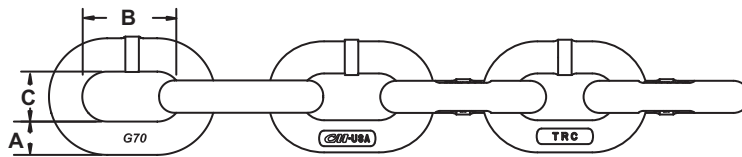
G70 Transport Chain	54
Binder Chain Specifications	54
G70 Welded Assembly	55
G70 Clevis Assembly	56
G70 Rivet Assembly	56
Aircraft Assembly	57
AG Safety Chain	57
G,T,R,S Cluster Assembly	58
G,T,S Cluster Assembly	58
G,R Cluster Assembly	59
“J” Hook Recovery Assembly	59
Mini “J” Hook	60
“R” Hook	60
“T” Hook	61
“J” Hook	61
G70 Clevis Grab	62
G70 Eye Grab Hook	62
G70 Clevis Slip Hook	63
G70 Eye Slip Hook	63
Lever Type Load Binder	64
Claw Hook Load Binder	64
Ratchet Type Load Binder	65
Tightener Load Binder	65
Specialty Forged Lever Load Binder	66
Removable Handle Load Binder	66
“E-Z PRO” Cam Release Lever Binder	67
G43 Chain	68
G43 Hanger Chain	68
G43 Welded Assembly	69
G43 Clevis Assembly	69
G43 Clevis Slip with Latch	70
G43 Clevis Slip (Zinc)	70
G43 Eye Slip Hook with Latch	71
G43 Eye Slip Hook (Zinc)	71
G43 Clevis Grab Hook (Zinc)	72
G43 Eye Grab Hook (Zinc)	72
G30 Chain	73
G30 Hanger Chain	73
G30 Clevis Slip Hook	74
G30 Eye Slip Hook	74
G30 Clevis Grab Hook	75
G30 Eye Grab Hook	75
Turnbuckles	76

Transport Chain

Grade 70 Transport (binding) Chain



- Meets ASTM & NACM standards
- Meets FMCSA & CVSA requirements
- Thermal heat treated using advanced technology
- Heat treated for superior wear and toughness
- 100% proof tested
- Permanent identification on chain
- Full Weld Trim



Chain Size	Working Load Limit	Product Code	A	B	C	App. Weight	App. No. of links	Drum Pack Code No. (Yellow Chromate Finish)					
								Full Drum	Length	Half Drum	Length	Pail	Length
in.	lb.		in.	in.	in.	lb./ft.	per ft.	ft.		ft.		ft.	
1/4	3,150	608927	0.281	0.840	0.470	0.76	14.3	678531	800	678521	400	678517	130
5/16	4,700	608935	0.327	0.980	0.460	1.01	12.2	678532	550	678522	275	678518	90
5/16	4,700	609035	0.327	1.100	0.500	0.97	10.9	679032	550	679022	275	679018	90
3/8	6,600	608941	0.394	1.140	0.540	1.58	10.5	678533	400	678523	200	678519	60
3/8	6,600	609041	0.394	1.375	0.600	1.39	8.73	679033	400	679023	200	679019	60
1/2	11,300	608954	0.531	1.559	0.734	2.70	7.70	678535	200	678525	100	9704850	40

Binder Chain Specifications

This chart indicates the minimum number of chains required to secure loads in the forward direction (0.8g deceleration)* per federal Motor Carriers Safety Administration, DOT Regulations; per 49CFR, Part 393 - Paragraph 393.102

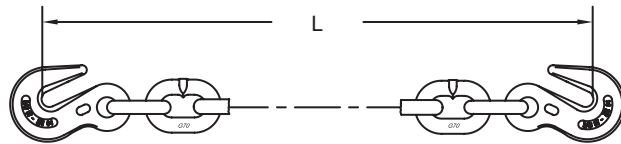
*Refer to 49CFR, Parts 392 and 393, for North American Standard for Protection Against Falling and Shifting Cargo for complete regulations

Chain Grade	Size	Working Load Limit	Min. # of chains required to secure loads in forward direction by weight of the article in lbs. (kN)										
			5,000 (22)	10,000 (44)	15,000 (67)	20,000 (89)	25,000 (111)	30,000 (133)	35,000 (156)	40,000 (178)	45,000 (200)	50,000 (222)	
	in.	lb.	kN										
Grade 30 Proof Coil	5/16	1,900	8	3	5	7	9	11	13	15	17	19	22
	3/8	2,650	12	2	4	5	7	8	10	11	13	14	16
Grade 43 High Test	5/16	3,900	17	2	3	4	5	6	7	8	9	10	11
	3/8	5,400	24	1	2	3	3	4	5	6	6	7	8
Grade 70 Transport	1/4	3,150	14	2	3	4	6	7	8	9	11	12	13
	5/16	4,700	21	1	2	3	4	5	6	6	7	8	9
	3/8	6,600	29	1	2	2	3	4	4	5	5	6	7
Grade 80 Herc-Alloy	7/32	2,100	9	2	4	6	8	10	12	14	16	18	20
	9/32	3,500	16	2	3	4	5	6	7	9	10	11	12
	5/16	4,500	20	1	2	3	4	5	6	7	8	9	10
	3/8	7,100	32	1	2	2	3	3	4	4	5	6	6
Grade 100 Herc-Alloy	3/8	8,800	39	1	1	2	2	3	3	4	4	5	5

G70 Welded Assembly



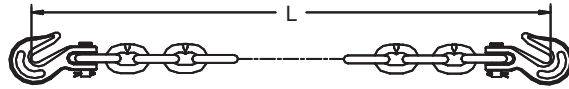
- Meets FMCSA, CVSA, DOT requirements
- Available in custom built lengths
- Assemblies are available with your choice of end attachments
- Assemblies are available with mechanical or welded attachments
- Welded assemblies are proof tested after welding.
- Full line of lever and ratchet binders to accommodate binder chain offering



Chain Size	Working Load Limit	Product Code	Product Code in bag	L	Finish	Weight
in.	lb.			ft.		lb.
5/16	4,700	-	638264	16	Yellow Chromate	16.71
5/16	4,700	638224	638302	20	Yellow Chromate	20.71
5/16	4,700	638260	-	25	Yellow Chromate	25.71
3/8	6,600	638558	-	20	Yellow Chromate	32.88
5/16	4,700	639064	-	16	Yellow Chromate	15.80
5/16	4,700	639024	-	20	Yellow Chromate	19.50
5/16	4,700	639060	-	25	Yellow Chromate	24.10
3/8	6,600	639089	-	16	Yellow Chromate	24.30
3/8	6,600	639058	-	20	Yellow Chromate	30.37

Transport Chain Chain Assemblies

G70 Clevis Assembly

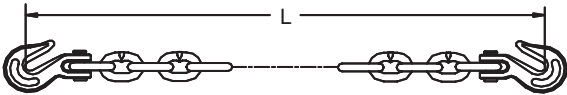


- Meets all Department of Transportation requirements
- No worries with ultra-violet degrading
- Custom lengths available
- Required in most states by DOT



Chain Size	Working Load Limit	Product Code Bulk	Product Code in bag	L	Finish	Weight
in.	lb.			ft.		lb.
Short Link						
1/4	3,150	638265	-	20	Yellow Chromate	15.40
5/16	4,700	638274	-	12	Yellow Chromate	13.10
5/16	4,700	638281	638276	14	Yellow Chromate	15.10
5/16	4,700	638282	638277	16	Yellow Chromate	17.10
5/16	4,700	638283	-	18	Yellow Chromate	19.10
5/16	4,700	638284	638266	20	Yellow Chromate	21.10
5/16	4,700	638313	-	24	Yellow Chromate	25.10
5/16	4,700	638279	638279BG	25	Yellow Chromate	26.10
3/8	6,600	638291	-	14	Yellow Chromate	23.50
3/8	6,600	638292	638268	16	Yellow Chromate	26.60
3/8	6,600	638293	-	18	Yellow Chromate	29.80
3/8	6,600	638294	638267	20	Yellow Chromate	32.90
1/2	11,300	638350	-	20	Yellow Chromate	54.20
Standard Link						
5/16	4,700	639081	-	14	Yellow Chromate	13.90
5/16	4,700	639082	-	16	Yellow Chromate	15.80
5/16	4,700	639083	-	18	Yellow Chromate	17.60
5/16	4,700	639084	639084BG	20	Yellow Chromate	19.40
5/16	4,700	639013	-	24	Yellow Chromate	23.10
5/16	4,700	639079	639079BG	25	Yellow Chromate	24.00
3/8	6,600	639091	-	14	Yellow Chromate	21.76
3/8	6,600	639092	639068	16	Yellow Chromate	24.56
3/8	6,600	639093	-	18	Yellow Chromate	27.36
3/8	6,600	639094	639094BG	20	Yellow Chromate	30.16
3/8	6,600	639097	-	25	Yellow Chromate	30.16

G70 Rivet Assembly



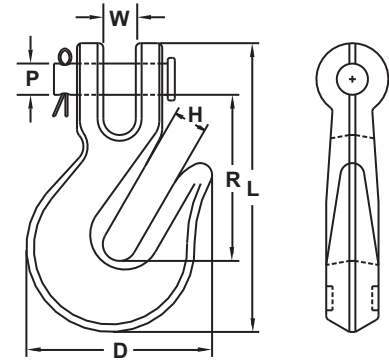
Chain Size	Working Load Limit	Product Code	L	Finish	Weight
in.	lb.		ft.		lb.
Short Link					
5/16	4,700	638281 CRV	14	Yellow Chromate	15.10
5/16	4,700	638282CRV	16	Yellow Chromate	17.10
5/16	4,700	638283 CRV	18	Yellow Chromate	19.10
5/16	4,700	638284CRV	20	Yellow Chromate	21.10
3/8	6,600	638291CRV	14	Yellow Chromate	23.50
3/8	6,600	638292CRV	16	Yellow Chromate	26.60
3/8	6,600	638293CRV	18	Yellow Chromate	29.80
3/8	6,600	638294CRV	20	Yellow Chromate	32.90
Standard Link					
5/16	4,700	639084CRV	20	Yellow Chromate	21.10
5/16	4,700	639079CRV	25	Yellow Chromate	24.00
3/8	6,600	639094CRV	20	Yellow Chromate	30.20



G70 Clevis Grab Hooks



- Meets ASTM & NACM standards
- Designed specifically for transport grade 70 chain
- 4:1 design factor
- Yellow chromate finish
- Not recommended for overhead lifting

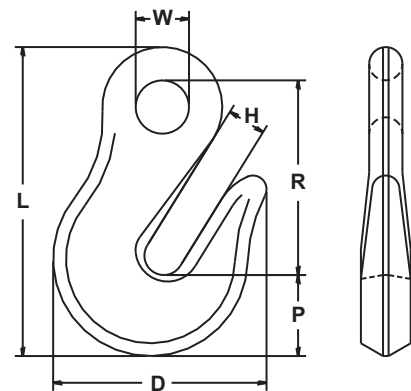


Size	Working Load Limit	Product Code (Yellow Chromate)	Dimensions						Weight
			W	D	H	L	R	P	
in.	lb.		in.	in.	in.	in.	in.	in.	lb.
5/16	4,700	62273	0.42	2.48	0.45	3.53	1.99	0.38	0.75
3/8	6,600	62373	0.50	2.95	0.51	4.10	2.35	0.44	1.10

G70 Eye Grab Hooks



- Meets ASTM & NACM standards
- Designed specifically for transport grade 70 chain
- 4:1 design factor
- Self colored finish
- Not recommended for overhead lifting

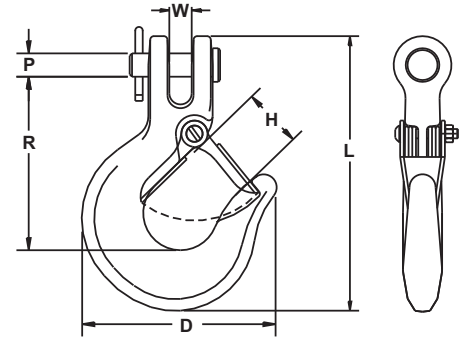


Size	Working Load Limit	Product Code (Self Colored)	Dimensions						Weight
			W	D	H	L	R	P	
in.	lb.		in.	in.	in.	in.	in.	in.	lb.
5/16	4,700	71297	0.70	2.70	0.53	3.89	2.44	1.00	0.75
3/8	6,600	71497	0.68	2.73	0.51	4.03	2.46	1.08	1.10

G70 Clevis Slip Hook



- Meets ASTM & NACM standards
- Designed specifically for transport grade 70 chain
- 4:1 design factor
- Hook embossed with trace code providing traceability throughout the manufacturing and testing process to heat of steel

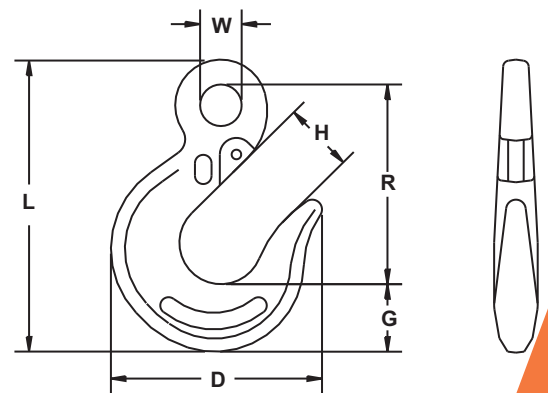


Size	Working Load Limit	Product Code	Dimensions						Weight
			W	D	H	L	R	P	
in.	lb.		in.	in.	in.	in.	in.	in.	lb.
With Latch									
5/16	4,700	6905AWL	0.38	3.25	0.94	4.62	2.91	0.39	0.96
3/8	6,600	6906AWL	0.45	3.87	1.00	5.42	3.39	0.49	1.66
Without Latch									
5/16	4,700	M6905A	0.38	3.25	1.06	4.62	2.91	0.39	0.75
3/8	6,600	M6906A	0.45	3.87	1.24	5.42	3.39	0.49	1.25

G70 Eye Slip Hook



- Meets ASTM & NACM standards
- Designed specifically for transport grade 70 chain
- 4:1 design factor
- Hook embossed with trace code providing traceability throughout the manufacturing and testing process to heat of steel



Size	Working Load Limit	Product Code	Dimensions						Weight
			W	D	H	L	R	G	
in.	lb.		in.	in.	in.	in.	in.	in.	lb.
1/4	3,150	M6304	0.53	2.69	0.90	3.79	2.60	0.88	0.45
5/16	4,700	M6305	0.63	3.19	1.05	4.41	3.00	1.03	0.58
3/8	6,600	M6306	0.78	3.75	1.22	5.38	3.72	1.25	1.40
7/16	8,750	M6307	0.81	4.33	1.46	5.75	3.91	1.38	1.50